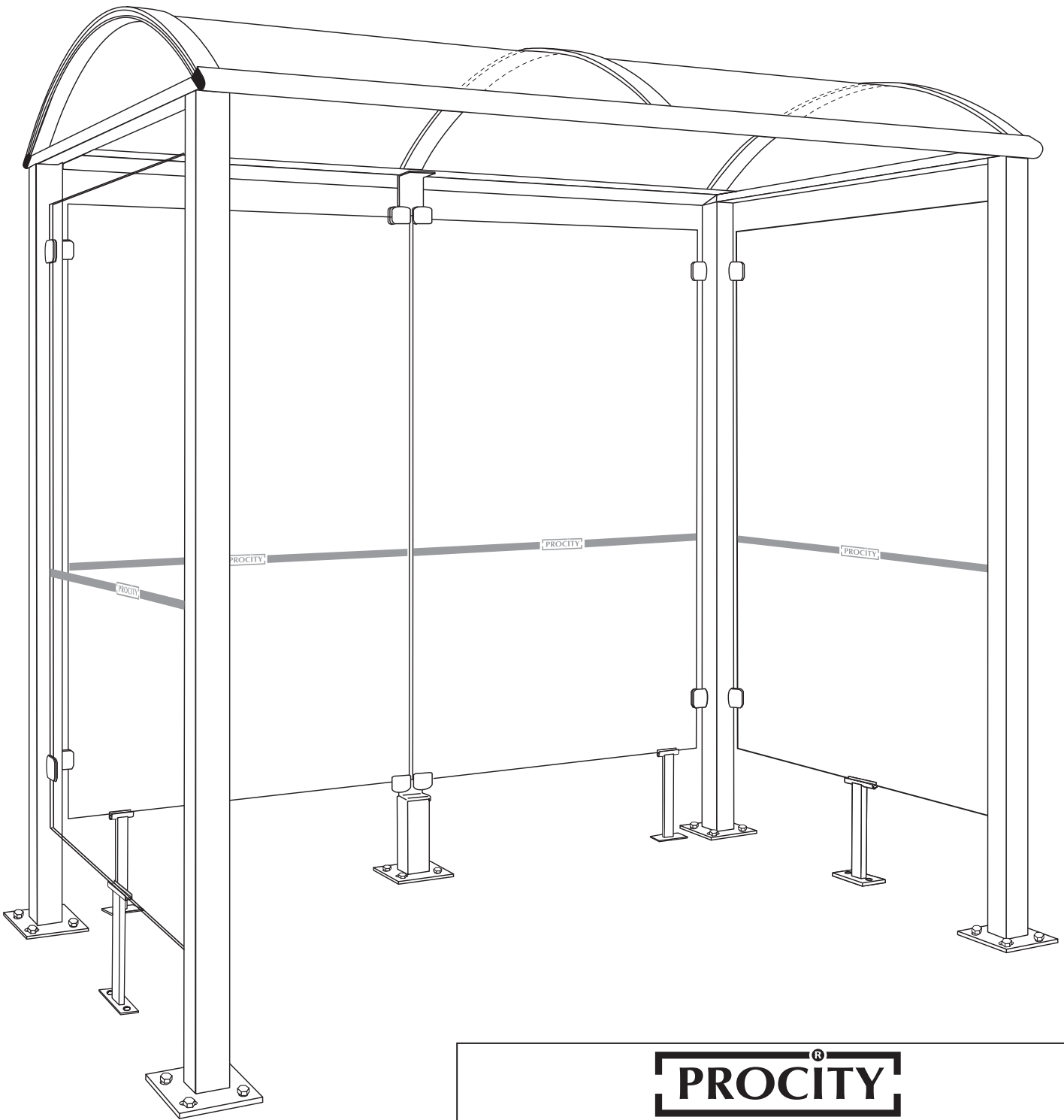


# Classic Smoking Shelter - Ref. 529372 - length 2500

80 x 80 mm posts, rear cladding, 2 side cladding



*This product has received our best attention*

Assembled by :

.....

Packed by :

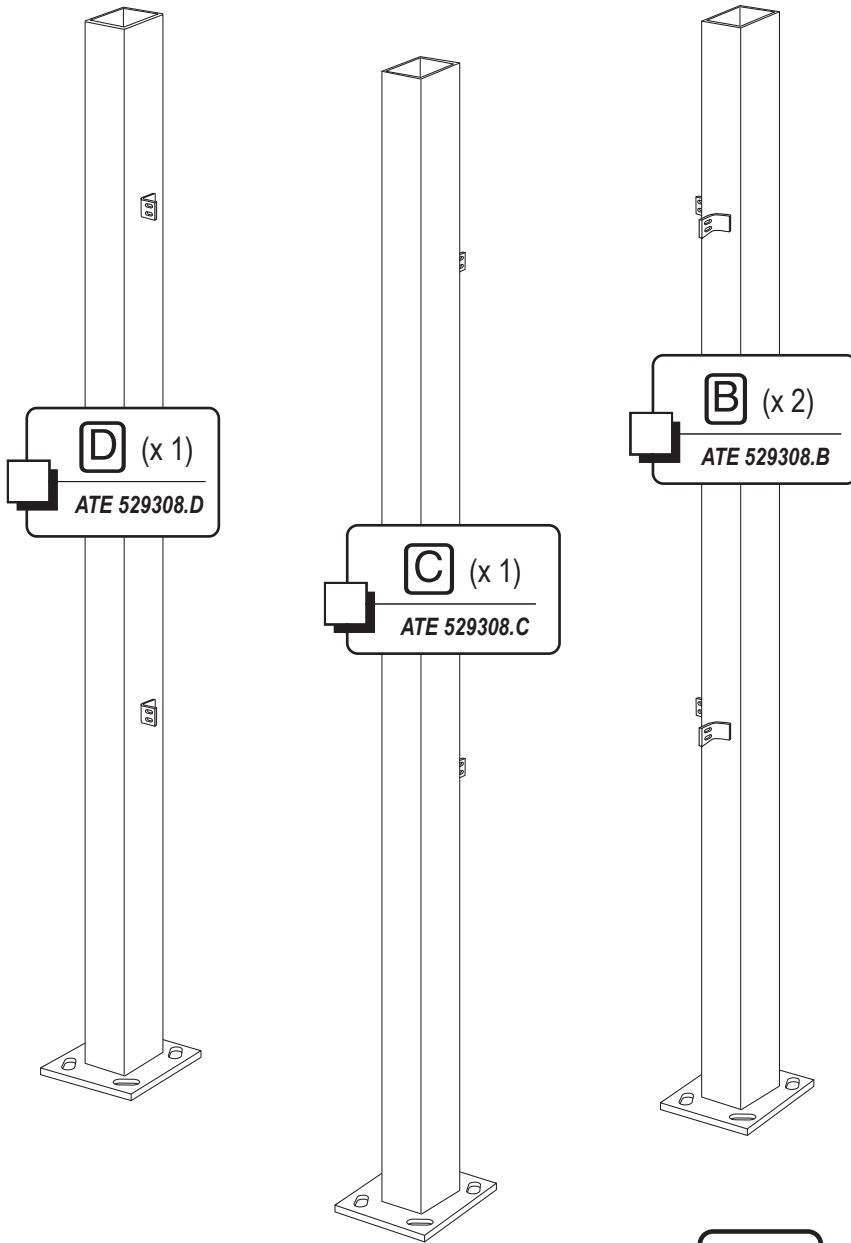
.....

N° OF :

.....

*For any further technical information or for any comments, please contact directly our Customer Service at 00.44.1582.488.444 (Thank you to provide the following number).*

# Parts

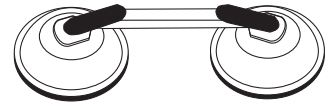


x2

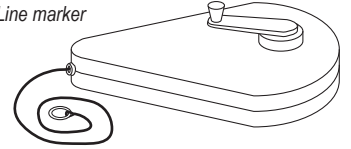
## EQUIPMENT REQUIRED

(excluding groundworks)

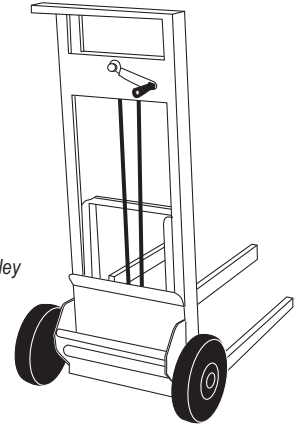
2 Glass suckers



Line marker



Lifting trolley



Spanners

Screw drivers

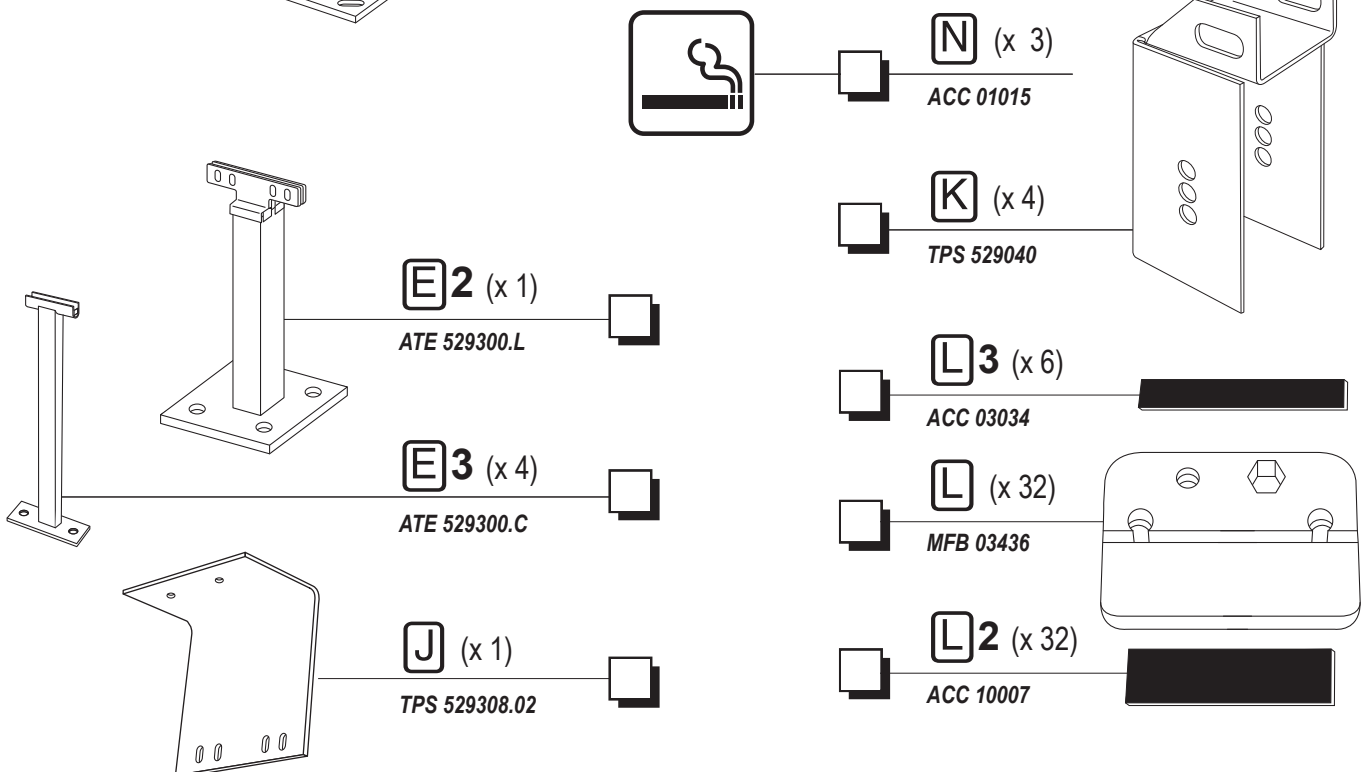
Flat spanners (17-19-13)

Tape measure

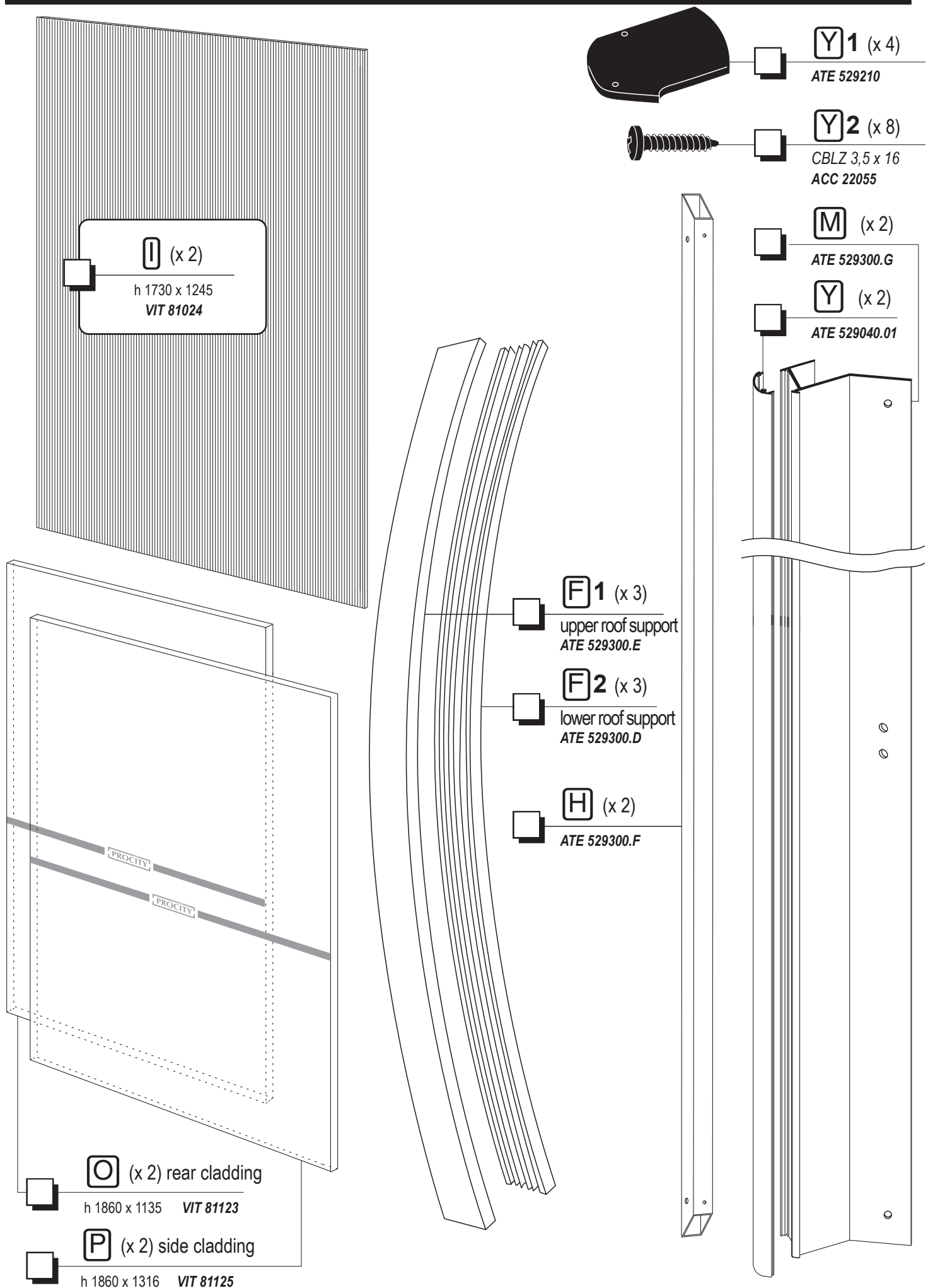
Hammer/Mallet

Spirit level

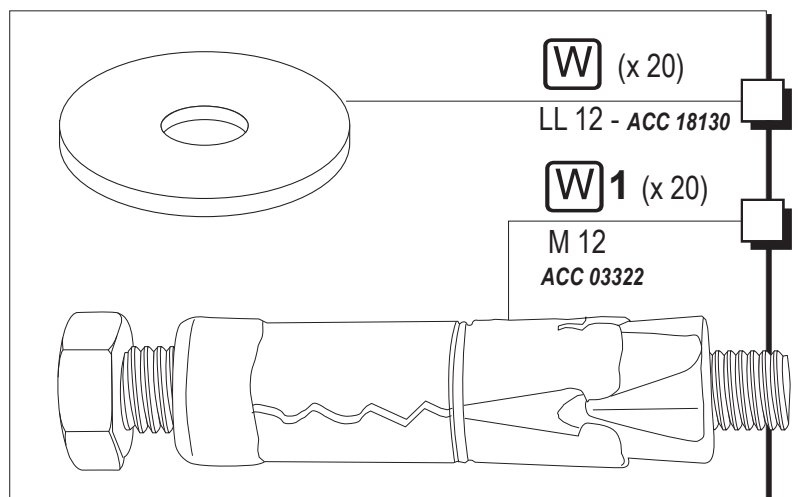
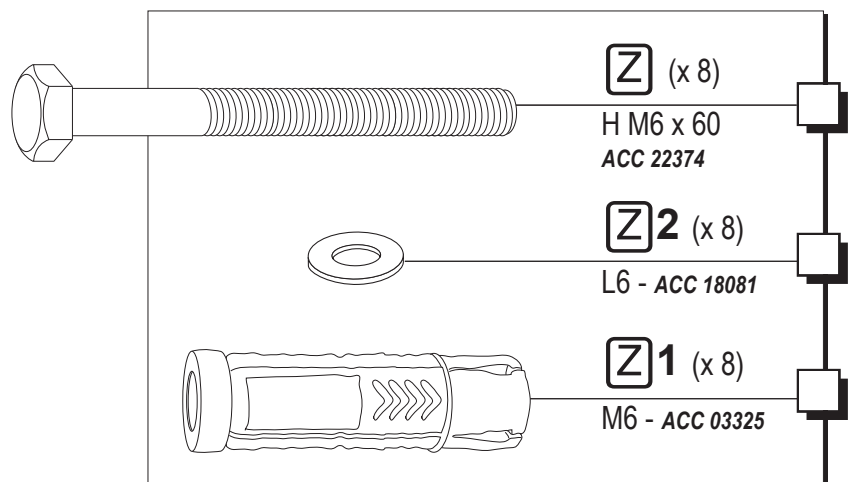
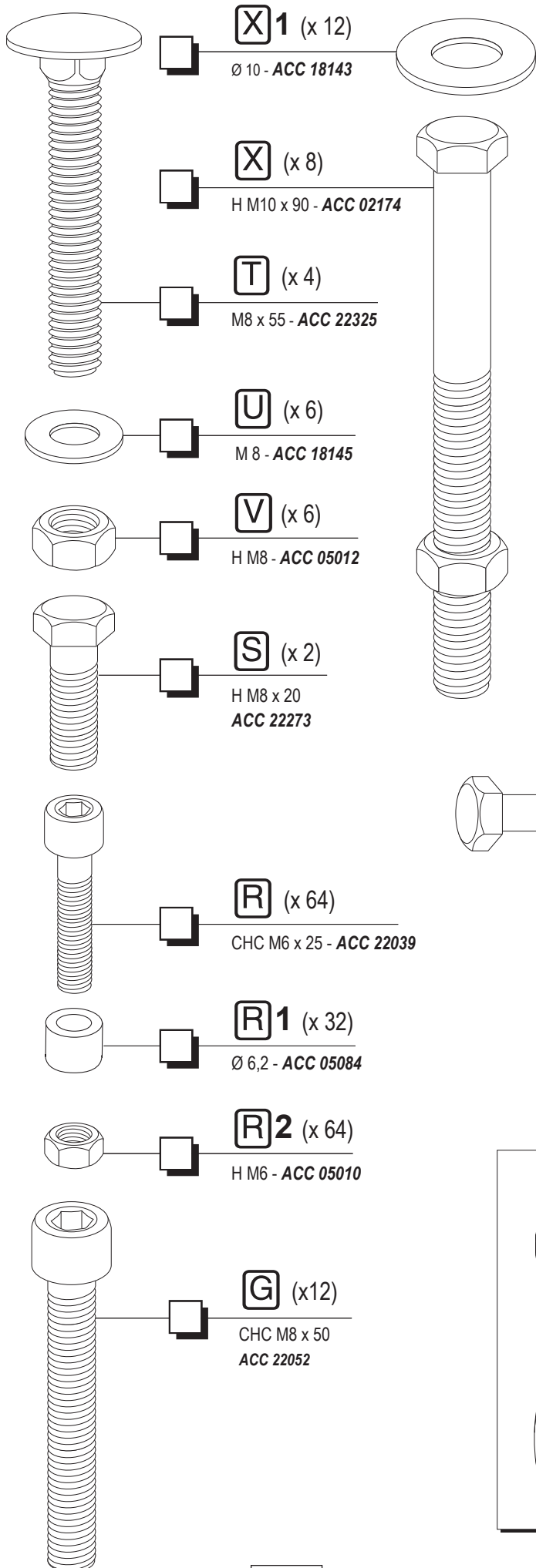
Drill & 20 mm bit



# Parts (2)



# Parts (3)



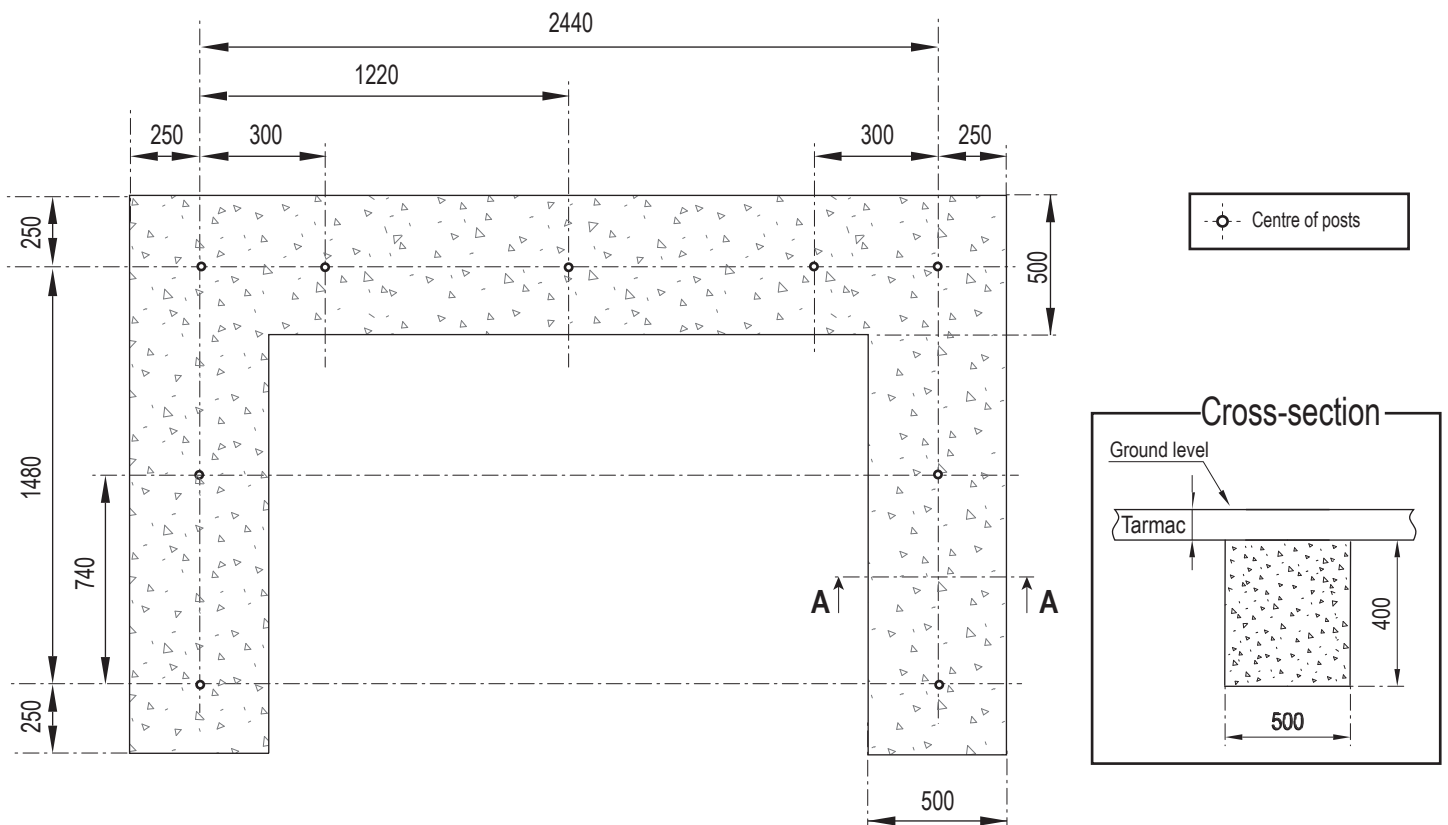
# 1 Groundworks

**IMPORTANT** : concrete pads and platforms must be level to ensure correct installation.

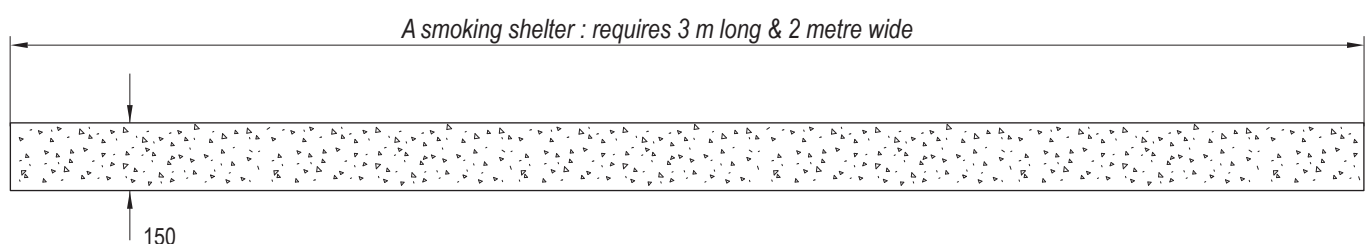
2 methods of installation /  
groundwork are possible

## 1<sup>st</sup> re-enforced concrete pads

IN MILLIMETRES

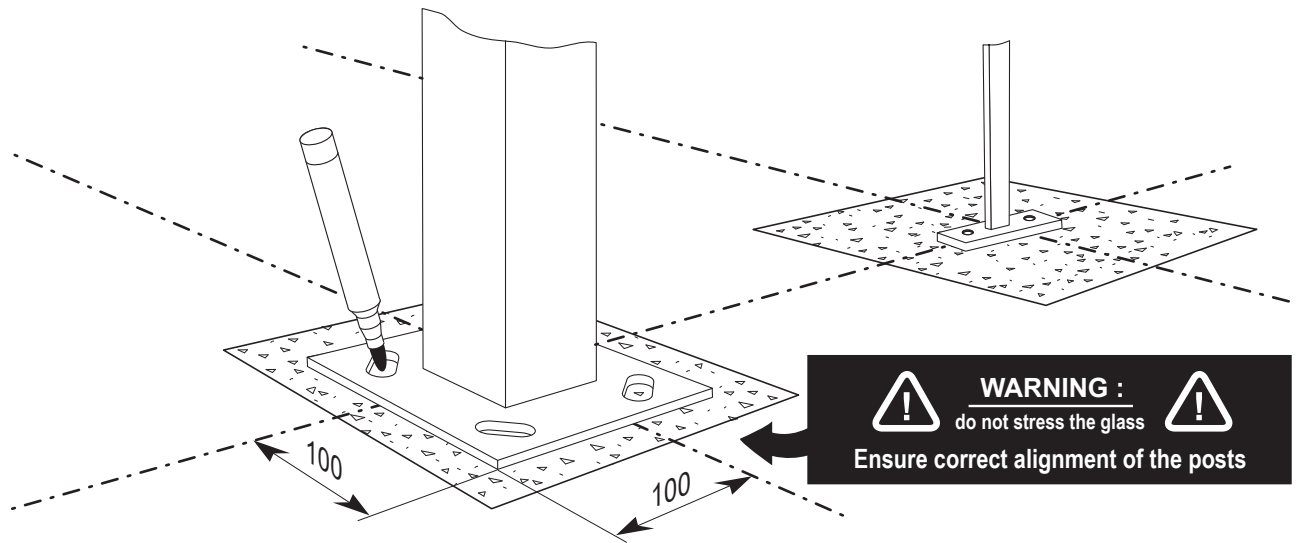


## 2<sup>rd</sup> re-enforced concrete platform

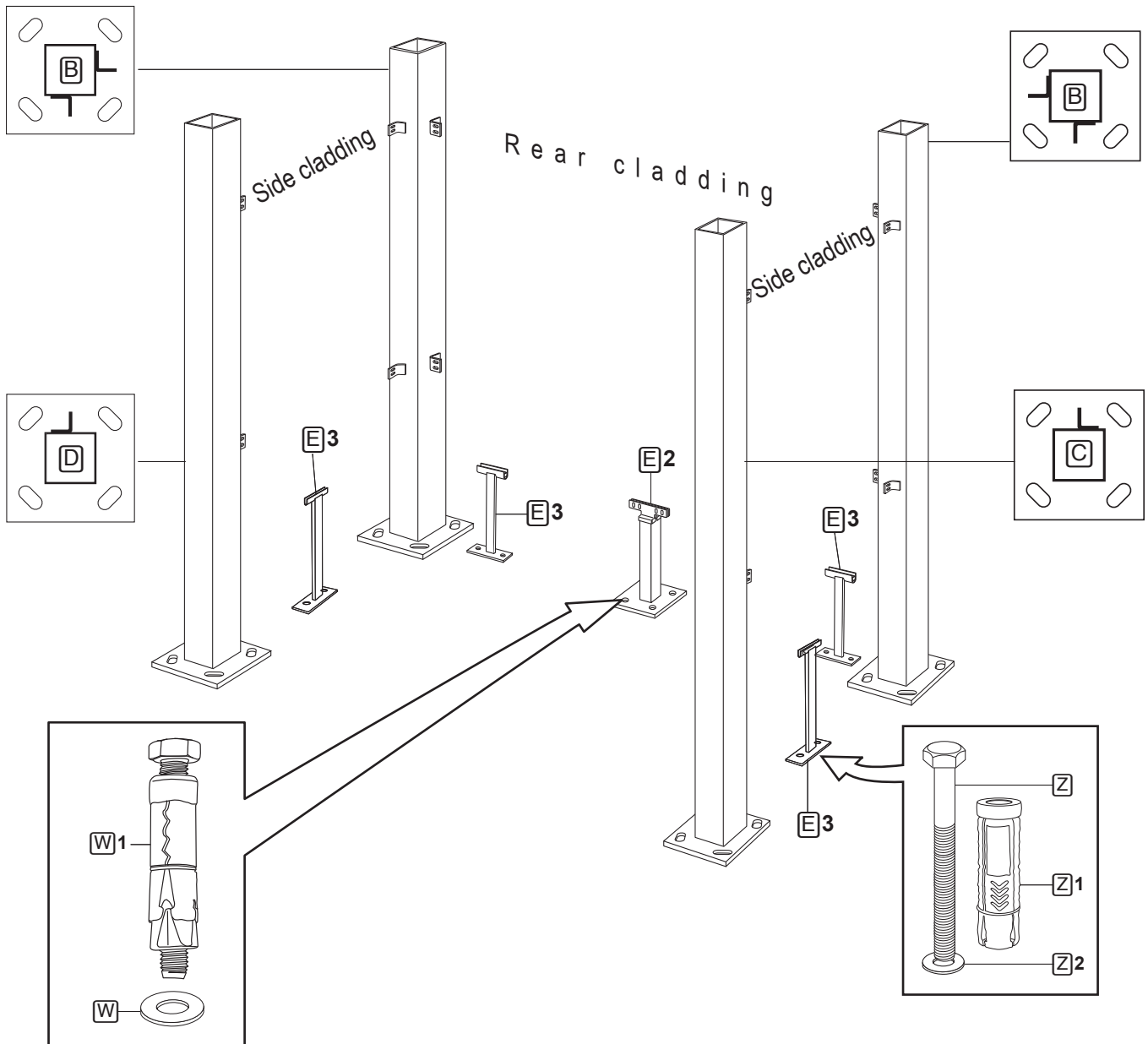


## 2 Sides

When fixing the posts to the ground, ensure the two sides are exactly parallel (or perpendicular), in relation to the rectangle.



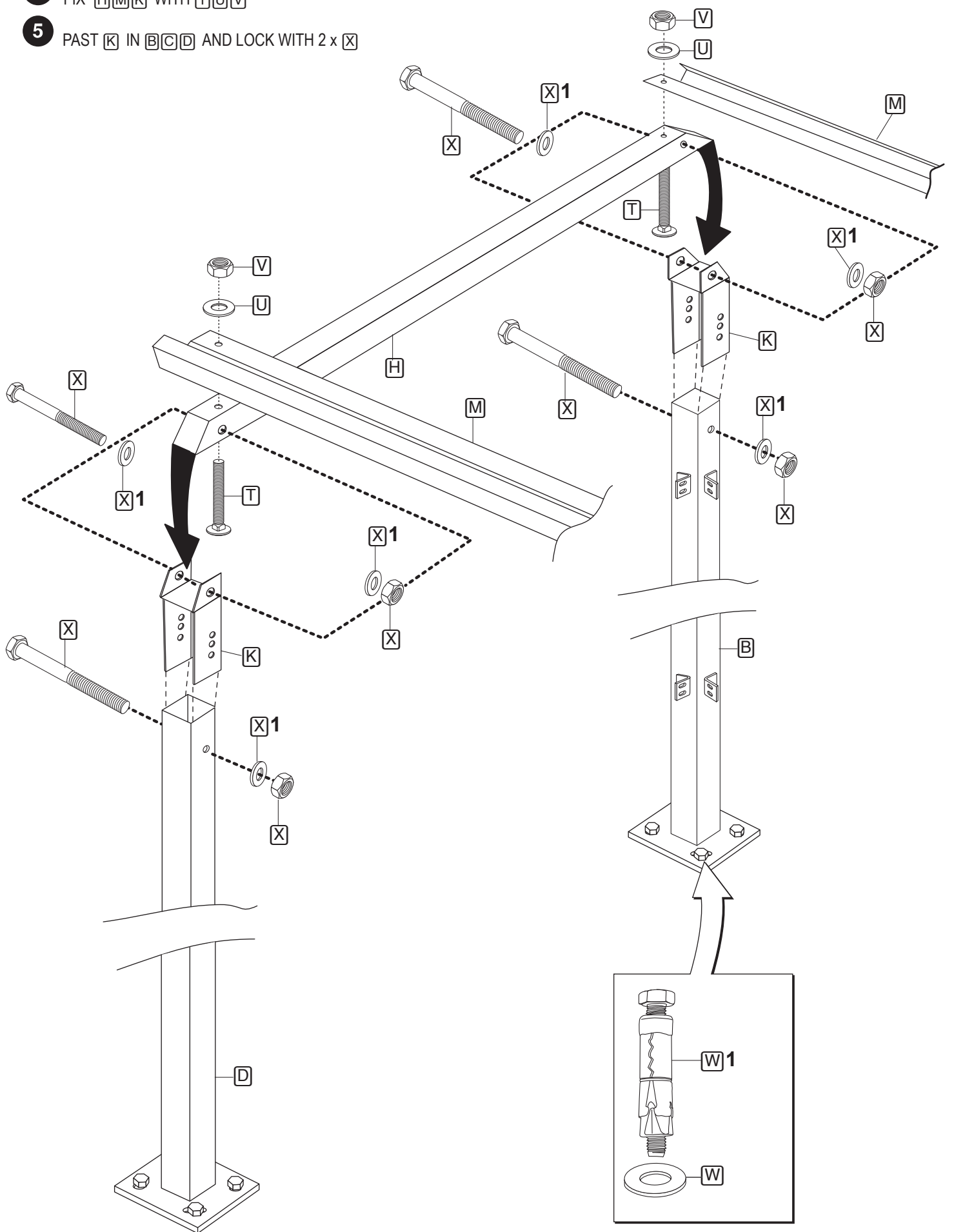
## 3 Positioning & fixing the posts



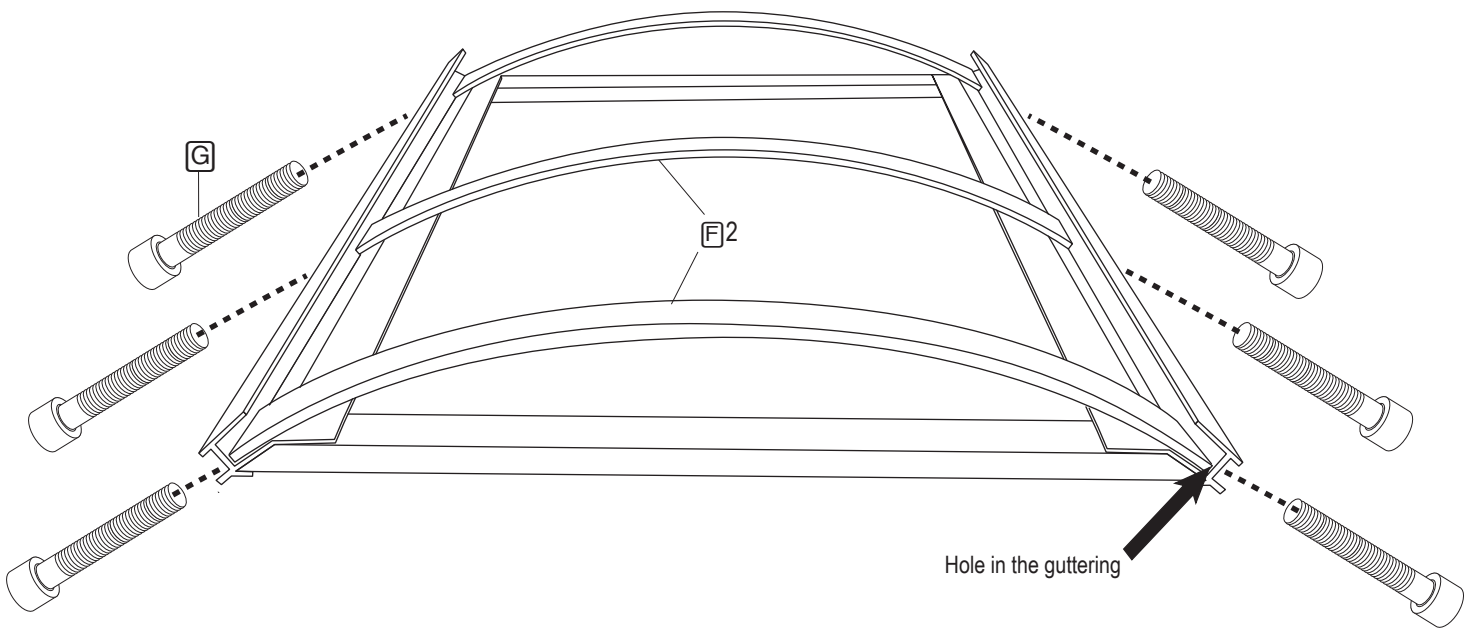
# Installing the roof

4 FIX H M K WITH T U V

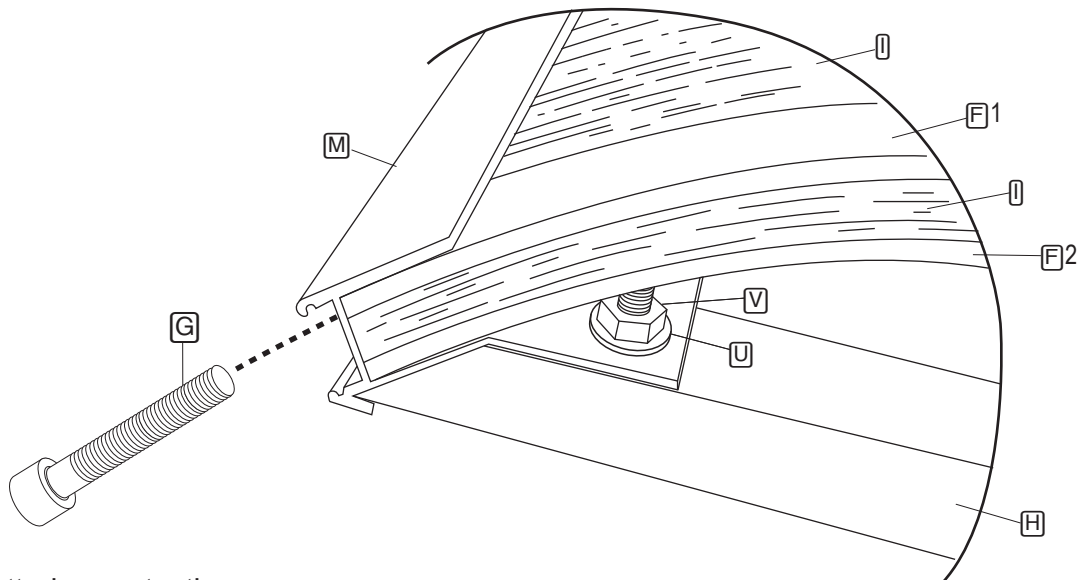
5 PAST K IN B C D AND LOCK WITH 2 x X



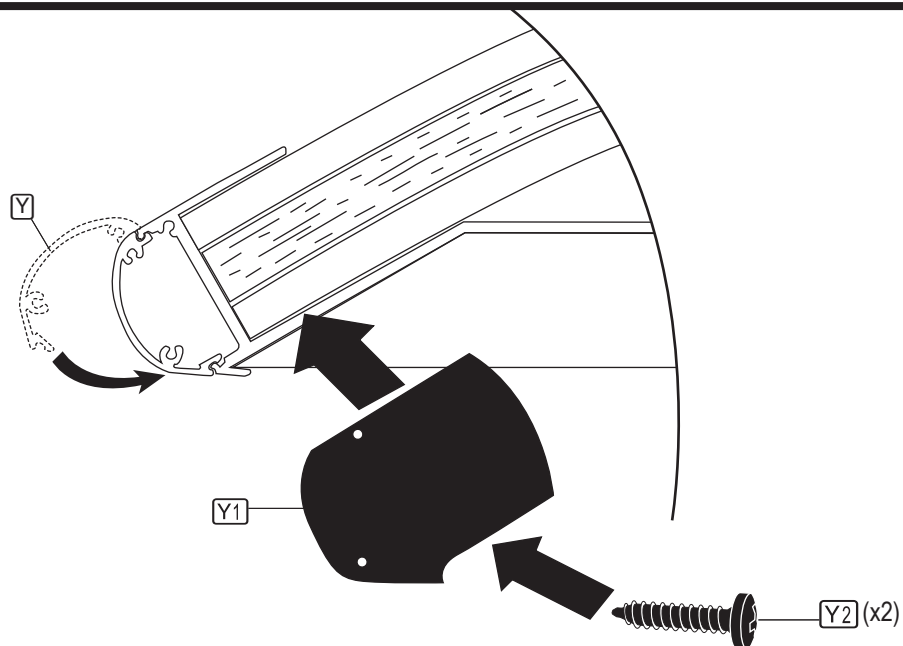
**6** Installing lower roof supports



**7** Installing upper roof supports



**8** Guttering protection





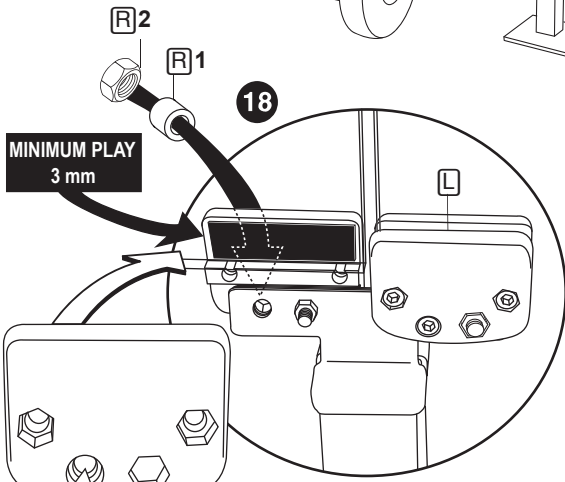
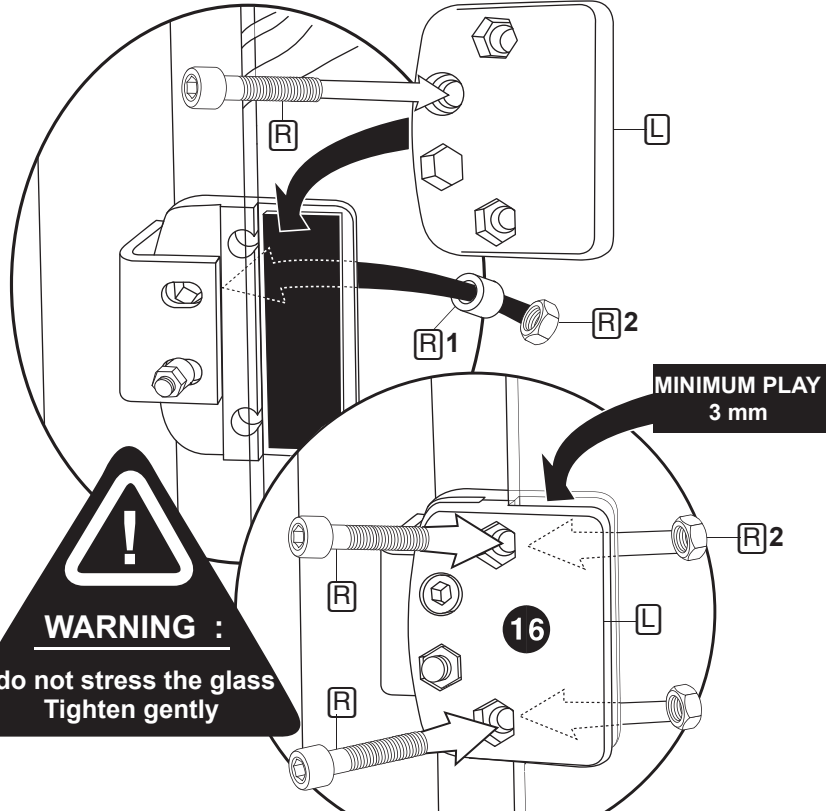


# Installation the cladding

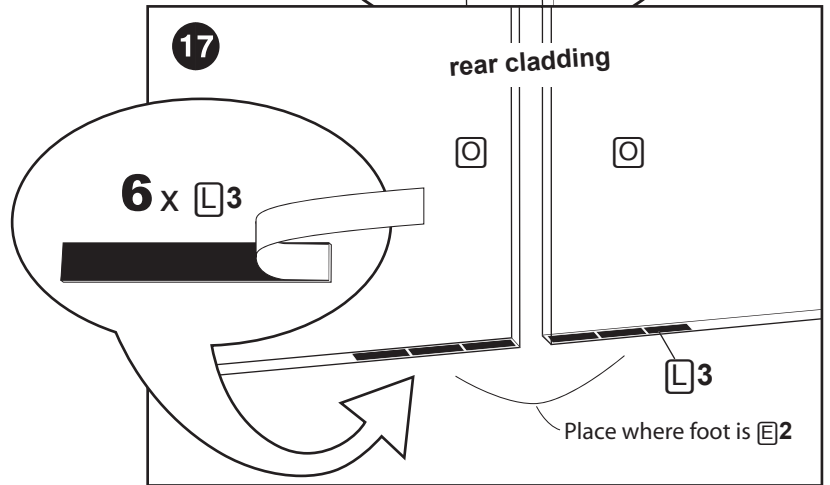
14

One person should maintain the glass while another screws on the remaining part of the cladding □ .

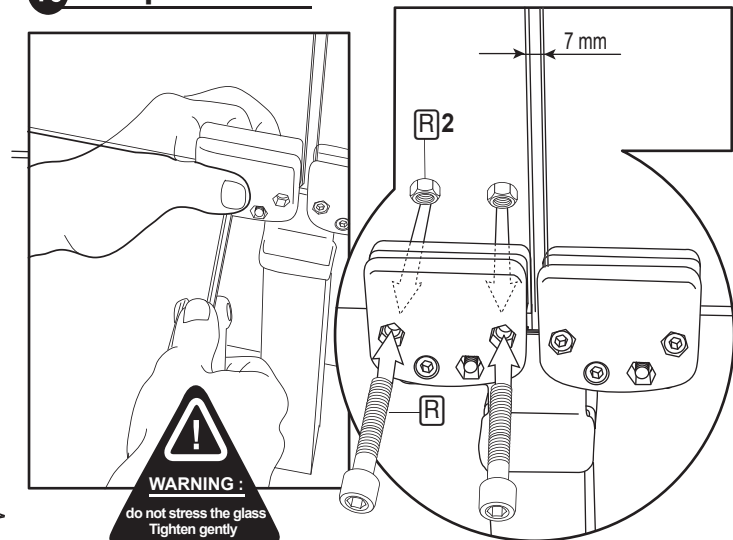
## 15 Side panels



17



## 19 Rear panels



21

20

