

Specification sheets

Water bollard TOLEDO 250 W 1



Additional information

Water bollard TOLEDO 250 W 1

60.12412.0 W 1

Water bollard TOLEDO 250 W 1

2 access doors and cable exit for open-door operation

Housing of galvanised steel

Aluminium cap

Aboveground height is 1215 mm

Diameter: 245 mm

With flange plate

Separate embedded base with 2 openings for water lines

All doors provided with cylinder lock for safety + security

Colour:RAL/HESS-DB+Glimmer (to be specified)

(Powder coating is not possible !!!)

Factory provided equipment:

Compartment 1:

2 x 3/4" water faucets, each matt chrome-plated
with straight breather and faucet handle

2 x 3/4" water meters

Compartment 2:

1 x 5/4" slanted shut-off seat valve

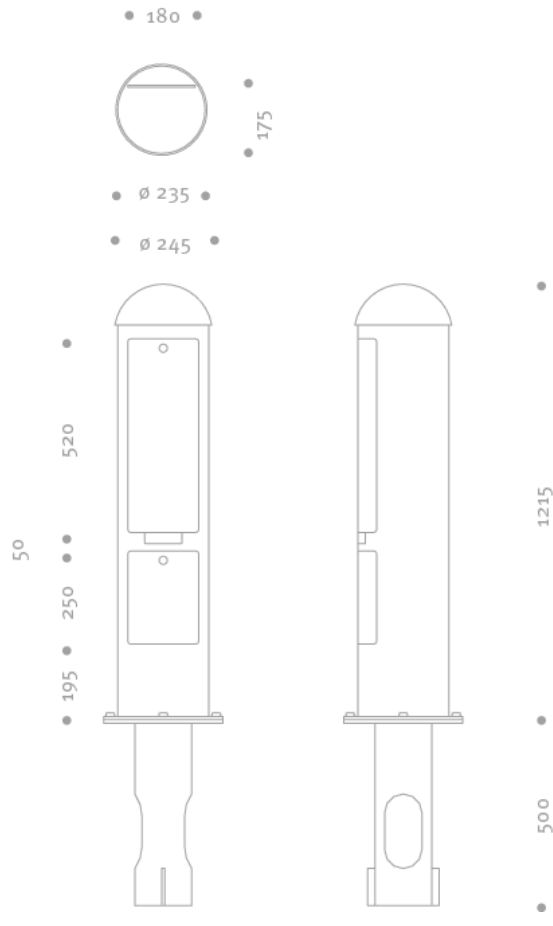
with backwater closure and drain valve



Additional information

Water bollard TOLEDO 250 W 1

Drawings



Downloads

Drawings: [Toledo_250_SM.png](#)

Catalogue page: [HESS_TOLEDO_250_vs_EN.pdf](#)

www.hess.eu

© Hess AG
15. June 2012