

Specification sheets

Power bollard TOLEDO 250 GS



.hess

Additional information

Power bollard TOLEDO 250 GS

60.12405.0 GS 0

Power bollard TOLEDO 250 GS

2 access doors and cable exit for closed-door operation

==> WITHOUT electrical equipment

Housing of galvanised steel

Aluminium cap

Aboveground height is 1215 mm

Diameter: 245 mm

With flange plate

Separate embedded base with 2 openings for cable entry

Electrical assembly plate for customer equipping

(to be mounted to separate embedded base)

All doors provided with cylinder lock for safety + security

Colour:RAL/HESS-DB+Glimmer (to be specified)

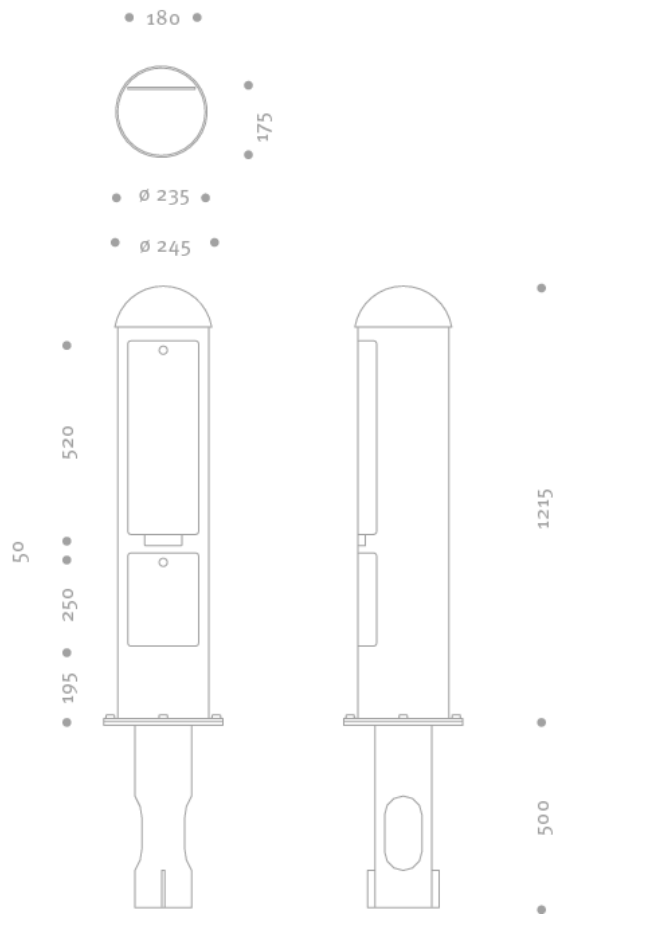
(Powder coating not possible)



Additional information

Power bollard TOLEDO 250 GS

Drawings



Downloads

Drawings: [Toledo_250_SM.png](#)

Catalogue page: [HESS_TOLEDO_250_vs_EN.pdf](#)

www.hess.eu

© Hess AG
11. June 2012

.hess