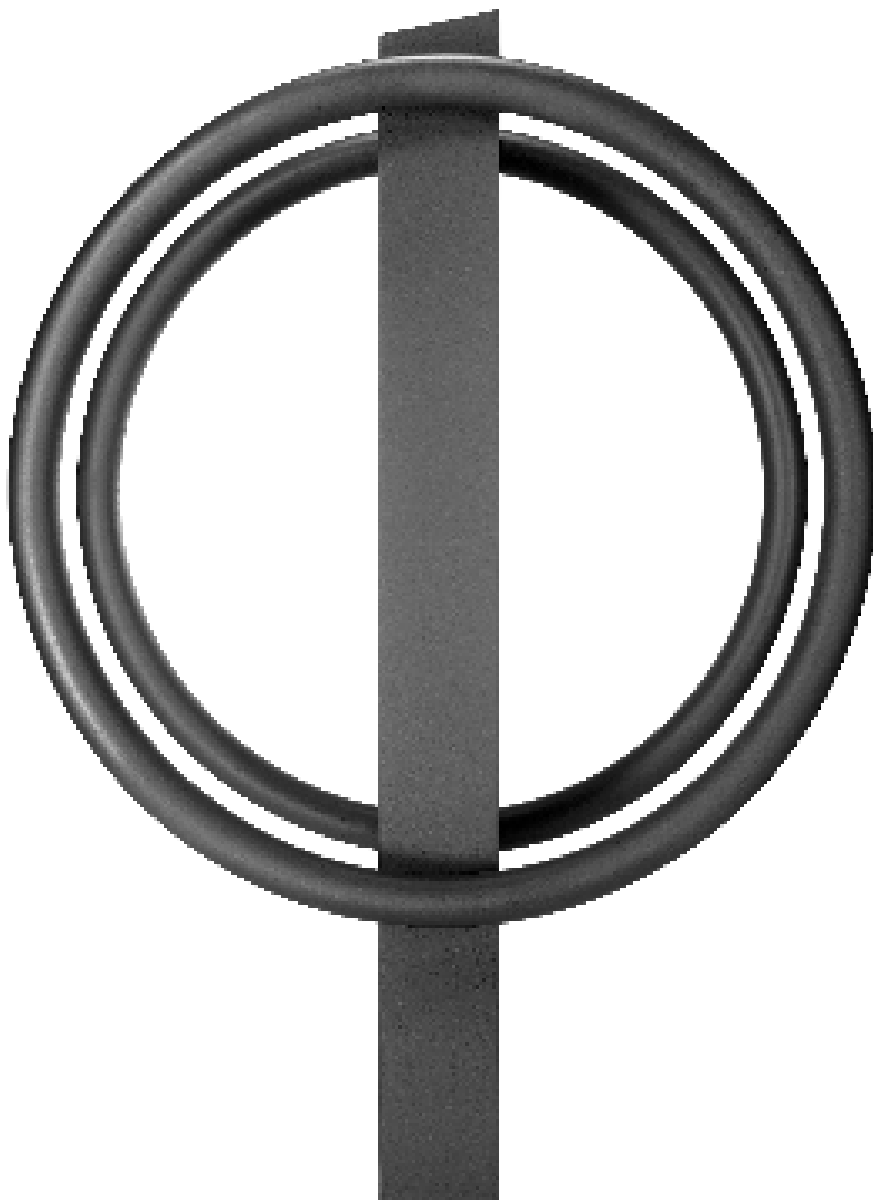


**Specification sheets**  
**Bicycle Rack TENDO**



## **Additional information**

### **Bicycle Rack TENDO**

61.00010.0 ER

Bicycle Rack TENDO

Galvanised steel section

Total height 1000 mm

With embedded base 500 mm

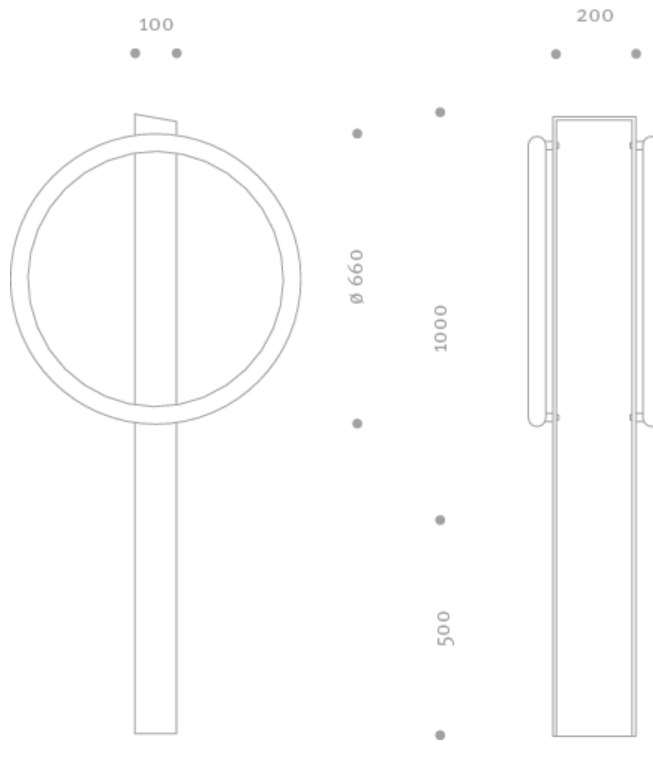
Colour: RAL/HESS-DB+Glimmer (to be specified)(Powder coated)

Weight: approx.48 kgs

## Additional information

### Bicycle Rack TENDO

#### Drawings



#### Downloads

Drawings:

[CERES.DXF.zip](#)

[Tendo\\_SM.png](#)

Catalogue page:

[HESS\\_TENDO\\_fs\\_EN.pdf](#)

## Specification text

### Bicycle Rack TENDO

TENDO Bicycle Rack

Article Number 61.00010.o Embedded Base

Bicycle rack construction includes two rings that are mounted to the sides of a post.

Above ground height is 1000 mm, in-ground length of embedded base is 500 mm, width is 700 mm, depth is 320 mm.

Post is constructed from DIN 1025 200 x 100 mm H-shaped structural steel with 10° sloped top, which is fitted with a plate.

The two rings constructed from Ø 42.4 steel tubing with 3.2 mm thick walls have an outer diameter of 700 mm to accommodate the bicycles.

The rings mount to the post via four bolts, with their centres positioned on the post at 600 mm above ground.

Bolts and fastening hardware are stainless steel.

Weight: approx.48 kg .

All steel components are hot-dip galvanised in and out as per DIN EN ISO 1461 (coat thickness is 80-100 my).

Finish:

All HESS-DB, Hess mica and RAL finishes are possible. Primer and top coat as per EN 55633.

Applied with powder coating technique. Coat thickness is 140-160 my.

Hess reserves the right to make technical changes..

---

#### Downloads

Specification text: [GAEB\\_61.00010.o\\_ER.D81](#)

[www.hess.eu](http://www.hess.eu)

© Hess AG  
11. June 2012