

Specification sheets

Bollard SALEM 85 - Type D



Additional information

Bollard SALEM 85 - Type D

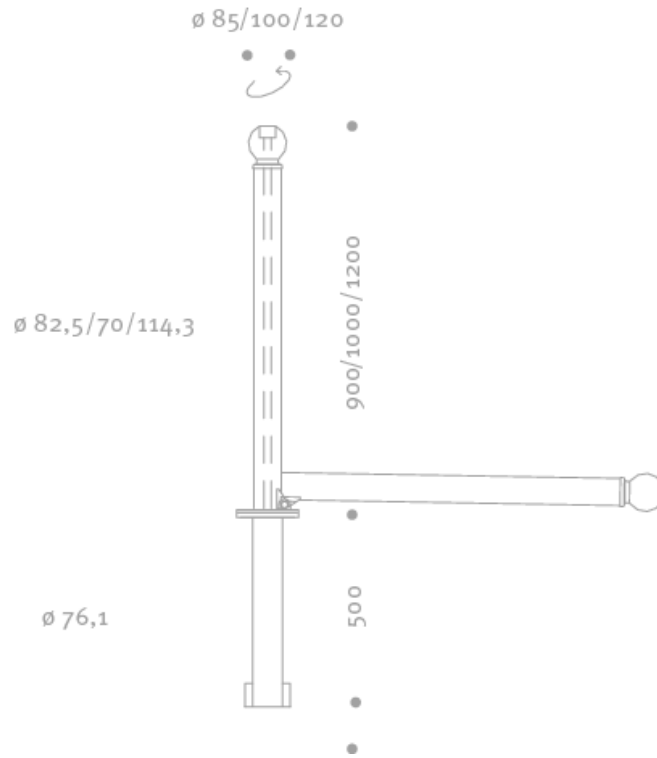
60.11200.3 oXKOS
Bollard SALEM 85 - Type D
Collapsable
Galvanised steel section
Cap of aluminium
Total height 900 mm
Triangular lock
With embedded base 500 mm
Colour:RAL/HESS-DB+Glimmer (to be specified)(Powder coated)
Weight: approx.16 kgs



Additional information

Bollard SALEM 85 - Type D

Drawings



Downloads

- Drawings: [Salem_D_SM.png](#)
Installation instructions: [HessMA_Absperrpoller_20110928.pdf](#)
Catalogue page: [HESS_SALEM_as_EN.pdf](#)

www.hess.eu

© Hess AG
10. June 2012

.hess