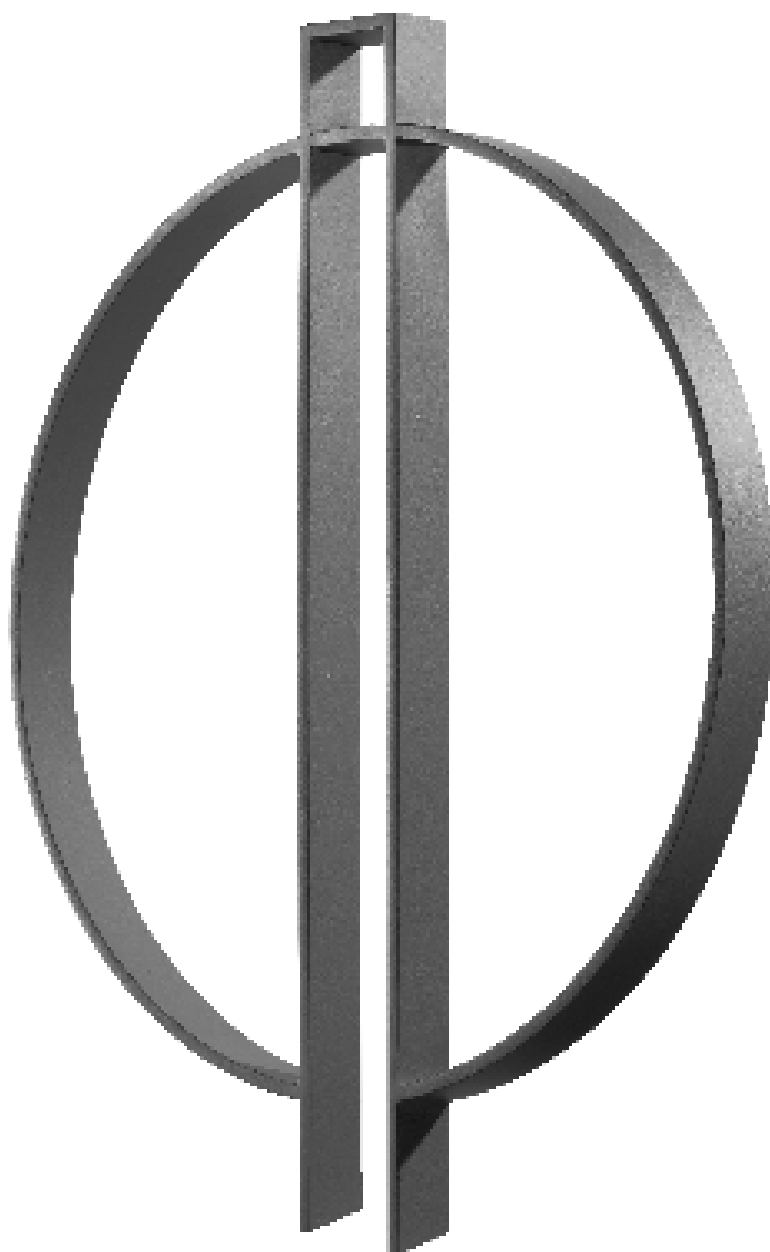


Specification sheets
Bicycle Rack CERES



Additional information

Bicycle Rack CERES

61.11700.0 ER

Bicycle Rack CERES

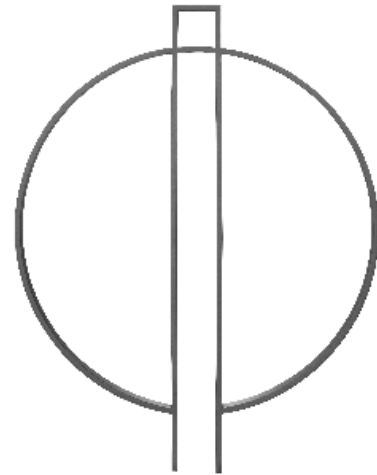
Made of galvanised steel

Total height 900 mm

With embedded base 500 mm

Weight: approx. 29 kgs

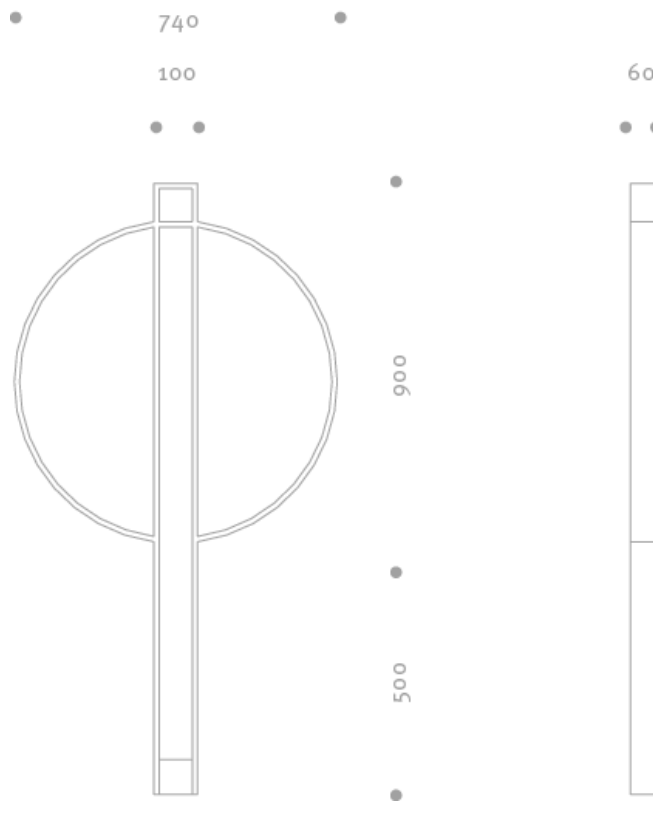
Colour:RAL/HESS-DB+Glimmer (to be specified)(Powder coated)



Additional information

Bicycle Rack CERES

Drawings



Downloads

- Drawings: [CERES.DXF.zip](#)
[Ceres_SM.png](#)
- Catalogue page: [HESS_CERES_fs_EN.pdf](#)

Corresponding products

Bicycle Rack CERES



Waste receptacles QUARTA

http://www.hess.eu/en/Produkte/Produkte_Stadtmobiliar/Abfallbehaelter/QUARTA/



Waste receptacles QUARTA K DOUBLE

http://www.hess.eu/en/Produkte/Produkte_Stadtmobiliar/Abfallbehaelter/QUARTA_K_ZWEIFACH/



Barrier systems REGOR 1030

http://www.hess.eu/en/Produkte/Produkte_Stadtmobiliar/Absperrsysteme/REGOR_1030/



Barrier systems REGOR 900

http://www.hess.eu/en/Produkte/Produkte_Stadtmobiliar/Absperrsysteme/REGOR_900/



Barrier systems REGOR RAILING

http://www.hess.eu/en/Produkte/Produkte_Stadtmobiliar/Absperrsysteme/REGOR_GELAEENDER/



Benches ARGO E

http://www.hess.eu/en/Produkte/Produkte_Stadtmobiliar/Baenke/ARGO_E/



Benches ARGO Z

http://www.hess.eu/en/Produkte/Produkte_Stadtmobiliar/Baenke/ARGO_Z/



Outdoor lighting VILLAGE

http://www.hess.eu/en/Produkte/Produkte_Leuchten/Systemleuchten/VILLAGE/



Catenary suspended luminaires VILLAGE UE

http://www.hess.eu/en/Produkte/Produkte_Leuchten/Ueberspannungsleuchten/VILLAGE_UE/



Wall mounted luminaires VILLAGE

http://www.hess.eu/en/Produkte/Produkte_Leuchten/Wandleuchten/VILLAGE/

Projects

Bicycle Rack CERES



www.hess.eu

© Hess AG
11. June 2012

.hess